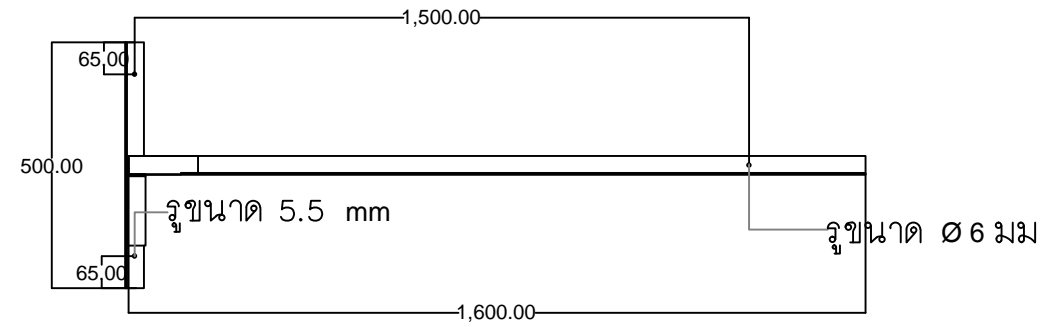
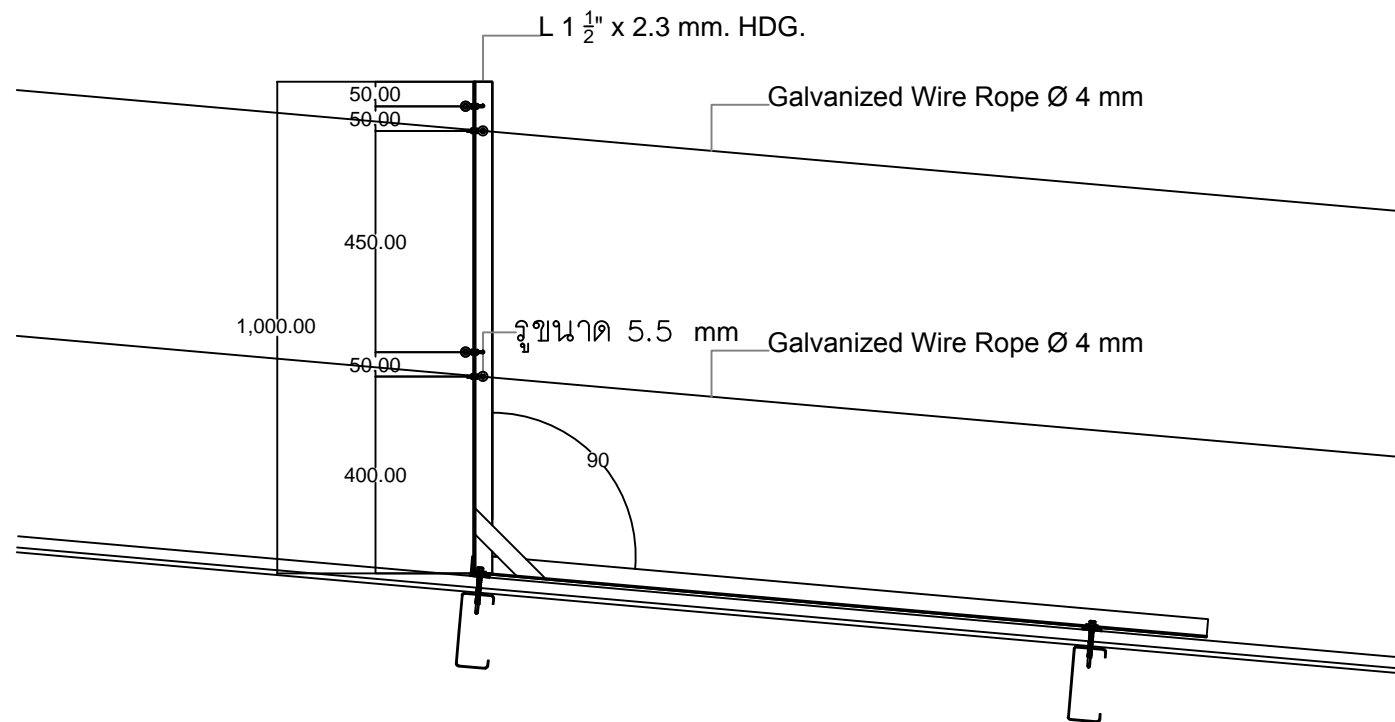


FRONT VIEW



TOP VIEW

SIDE VIEW



PROJECT NAME :		Life Line	DRAWN BY : NAME NARAWAT PH. SIGN
DATE	SHEET	UNIT	CHECKED BY: NAME SIGN